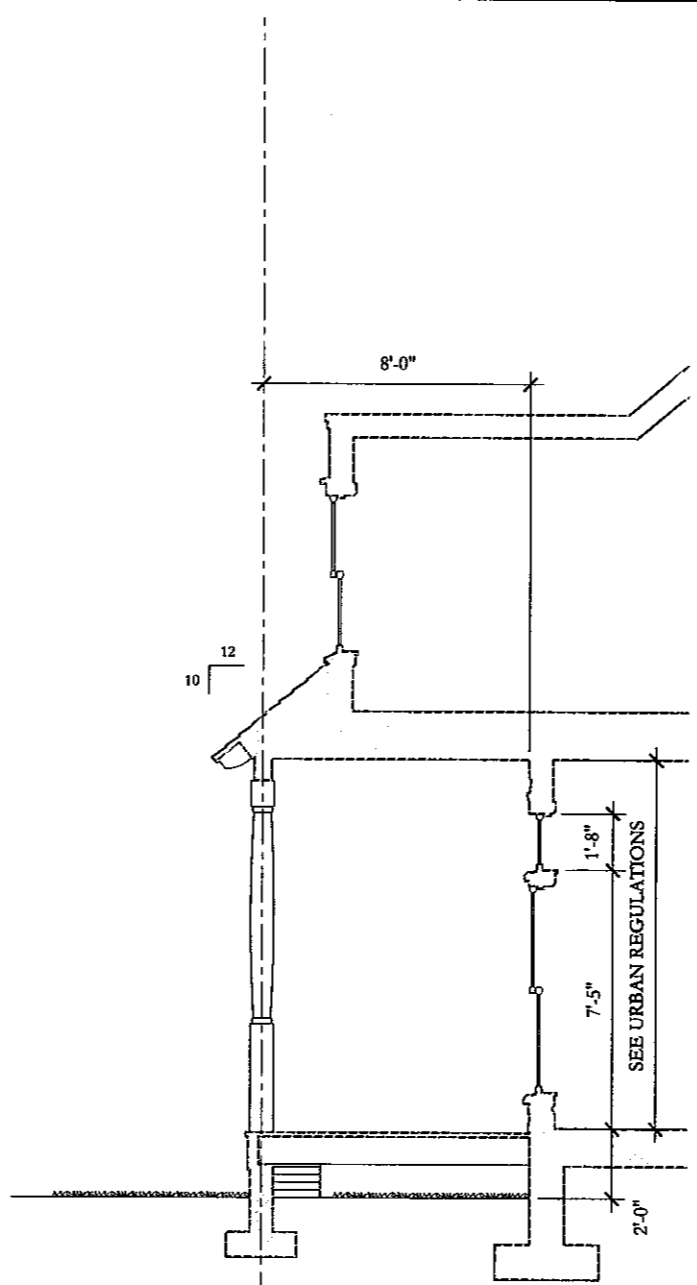
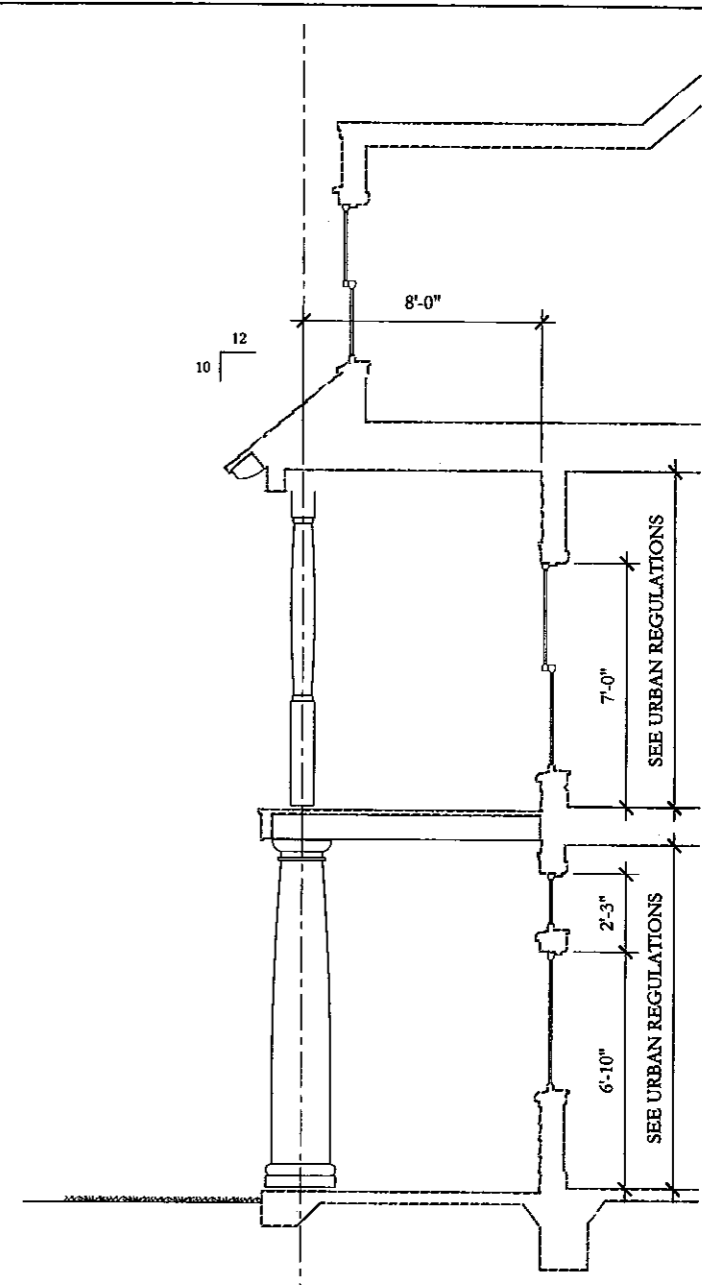


Typical Rowhouse Section



Typical Acadian/Creole Section



Typical Raised Acadian/Creole Section

**PORCHES**

THE FRENCH PORCH IS SYMMETRICAL AND RUNS THE FULL LENGTH OF THE FACADE. COLUMNS HAVE A REGULAR SPACING OF BETWEEN 8 TO 12 FEET ON CENTER. HOUSES 24 TO 36 FEET WIDE HAVE THREE "BAYS" FOR THE FRONT FACADE LENGTH, OR FIVE BAYS FOR PORCHES THAT WRAP ONE OR TWO SIDES.  
 THE 40 FOOT WIDE HOUSE HAS A FIVE BAY PORCH. THE PORCH CAN EXTEND BEYOND THE MAIN BODY AND WRAP AROUND THE SIDES.  
 ACADIAN PORCHES USUALLY HAVE SQUARE OR RECTANGULAR COLUMNS WITHOUT TRIM FOR ONE STORY HOUSES AND FOR THE SECOND STORY COLUMNS ON TWO-STORY HOUSES. THE FIRST FLOOR COLUMNS ON TWO STORY HOUSES ARE MORE MASSIVE WITH EITHER NO DETAIL, OR A MINIMUM CAPITAL EXPRESSION. RAILINGS HAVE STRAIGHT BALUSTRADES WITH INTERMEDIATE POSTS FOR RAILINGS OVER 9 FEET IN LENGTH.  
 CREOLE PORCHES USUALLY HAVE TURNED OR SQUARE COLUMNS WITHOUT TRIM FOR THE ONE STORY HOUSES AND FOR THE SECOND STORY COLUMNS ON THE TWO STORY HOUSES. THE FIRST FLOOR COLUMNS ON TWO STORY HOUSES ARE DORIC. THE PROPORTIONS OF THE DORIC COLUMN IS OF PARTICULAR IMPORTANCE. THE RAILINGS CAN HAVE EITHER TURNED, OR STRAIGHT BALUSTRADES.  
 THE MAJORITY OF FRENCH PORCHES ARE OF FRAME CONSTRUCTION SET UP ON MASONRY PIERS. THE VOID BETWEEN MASONRY PIERS MAY REMAIN OPEN WITHOUT INFILL.